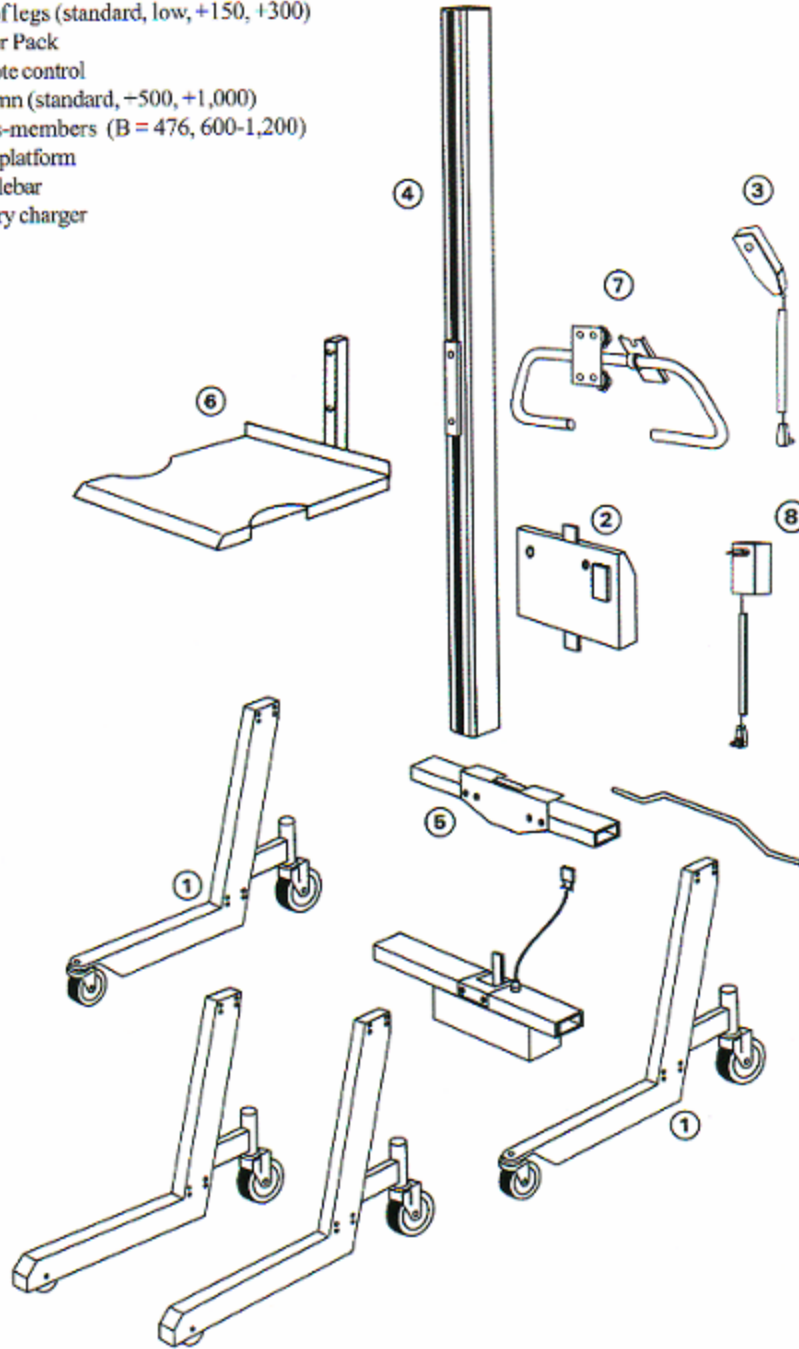




Backtech BT/500

- 1 Pair of legs (standard, low, +150, +300)
- 2 Power Pack
- 3 Remote control
- 4 Column (standard, +500, +1,000)
- 5 Cross-members (B = 476, 600-1,200)
- 6 Load platform
- 7 Handlebar
- 8 Battery charger





Backtech BT/500

