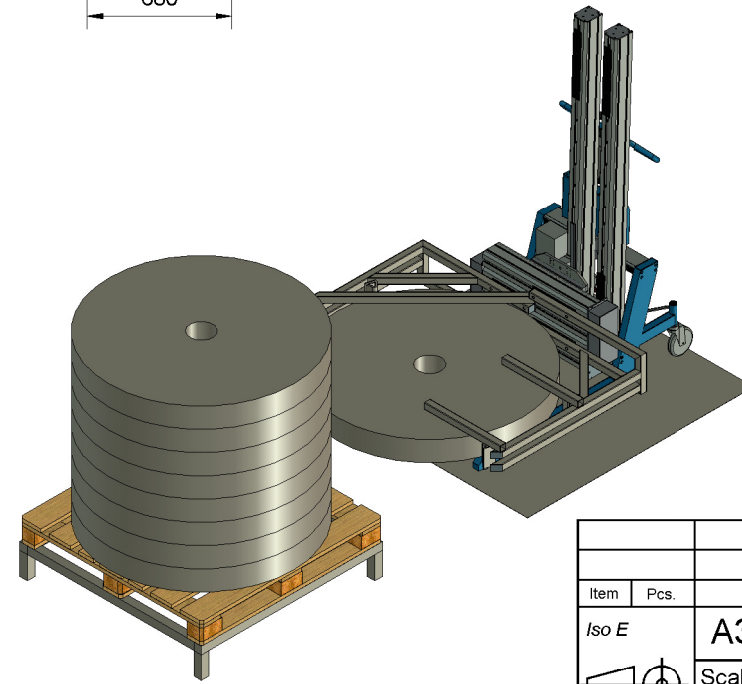
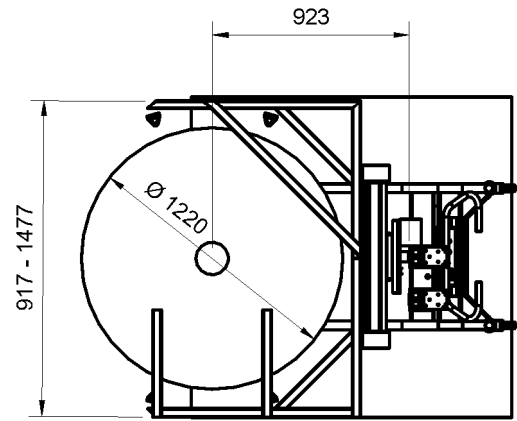
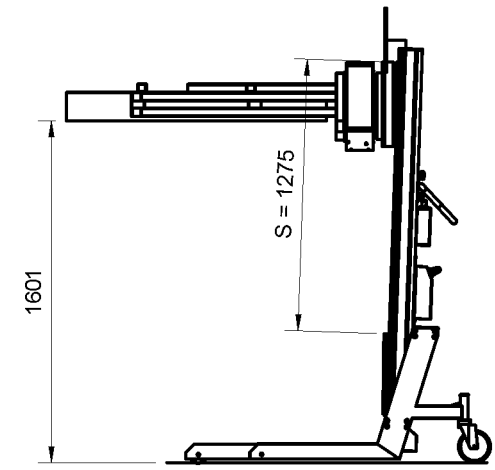
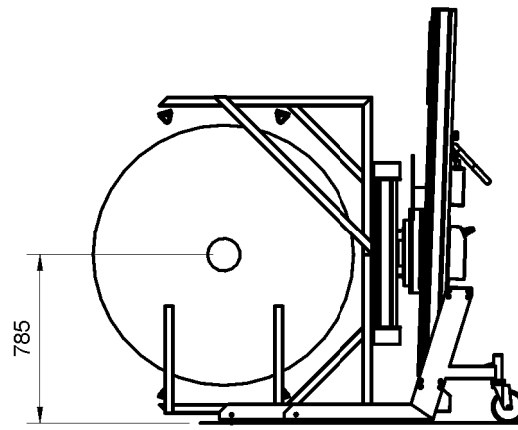
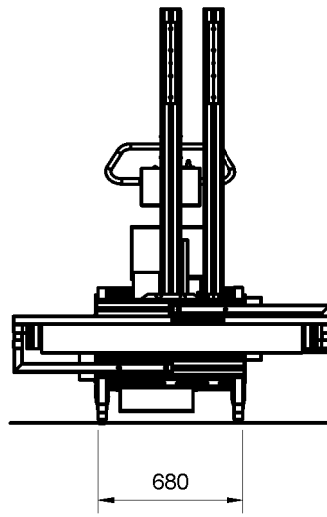
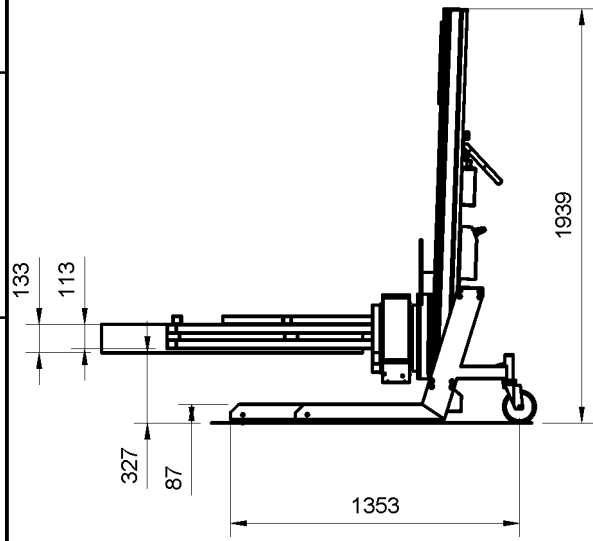


A
B
C
D
E
F

A
B
C
D
E
F



MAX Ø Roll 48"
Max Weight 260lbs

Item	Pcs.	Name/Designation	Material	Dimension	Pattern No./Note
ISO E	A3	General Tolerances acc to :			
	Scale 1:25	ISO 2768-1 medium	Drawn JS	Checked	Dat. 2009-11-26
BackTech			Title Double Squeeze BT Lifter		Sheet 1 Rev.
			Doc Nr. 091109-00 225P with squeeze o turn Double H		